



PIZZA OVEN



Jet Air Pizza Oven, Electric, 3 Decks, Each Deck 40" x 23 1/2" x 5 1/2", Capacity (6) 18" Pizzas, Full View Glass Doors, Interior Lights, Stainless Steel Construction, cETLus, NSF



PROJECT _____

ITEM NO. _____

NOTES _____

MODEL NUMBER: **PIZ6 , PIZ6G**



FEATURES

- Multipurpose Oven
- Temperature Control up to 600°F (315°C)
- Preheats in 15 minutes
- Digital Reminder Timer
- Large Baking Capacity (3 Baking Decks)
- Direct Baking on Nickel Coated Perforated Decks
- Door Switch Cutoff for Fan Blower
- Jet Air Exclusive Patented Reversing Fan System
- Capacity: [6] 18" (457 mm) Pizzas

CONSTRUCTION

- Stainless Steel Construction
- Full View Thermos Glass Door
- Fully Illuminated
- Easy Open & Close Drop Down Door

OPTIONS & ACCESSORIES

- Stainless Steel Stand on Swivel Casters (PIZ6B)
- Steam Option (Electric Only)
- 3 Extra Digital Timers
- Gas Quick Disconnect Kit: 4' (1200mm); includes flexible hose, ball and securing device (GAH600)

WARRANTY

- Two Year Parts & One Year Labor



Model	Crated Weight	Overall Dimensions			Interior Dimensions			Door Opening (3)
		W	D	H	W	D	H	
PIZ6	875 (397)	47 5/8" (1210)	44 7/8" (1140)	36 1/4" (921)	39 3/4" (1010)	25" (635)	21" (533)	40" x 5 3/4" (1015 x 146)
PIZ6G	875 (397)	47 5/8" (1210)	47" (1194)	36 1/4" (921)	39 3/4" (1010)	24" (610)	21" (533)	40" x 5 3/4" (1015 x 146)

SPECIFICATIONS SUBJECT TO CHANGE WITHOUT NOTICE

KCL & REVIT DRAWINGS UPON REQUEST

REVISION A | 4/21/2021

Follow Us



Doyon

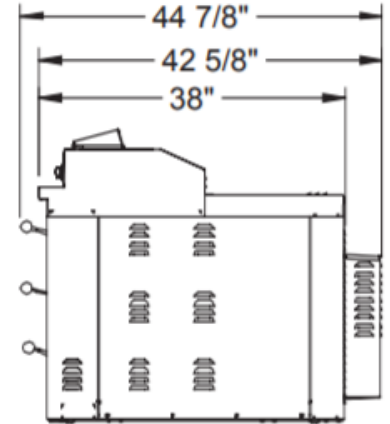
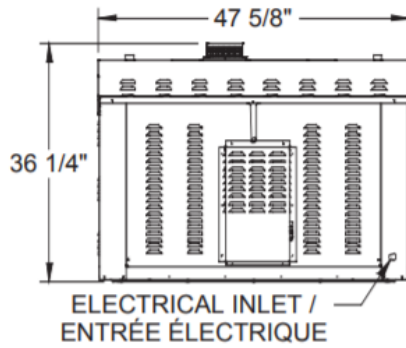
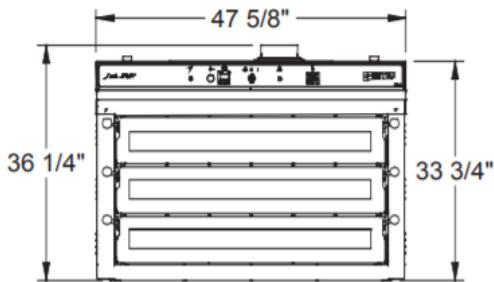
5600 13th Street, Menominee, MI 49858

906.863.4401 | 800.338.9886 | www.doyon.qc.ca

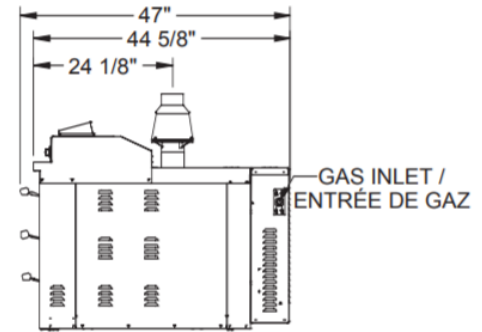
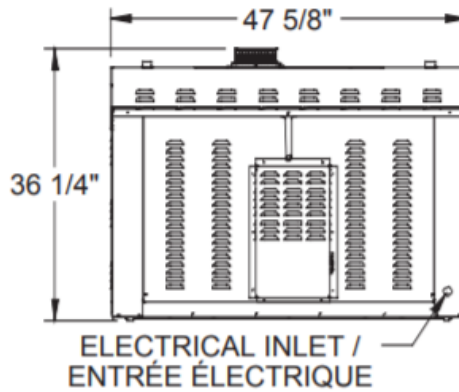
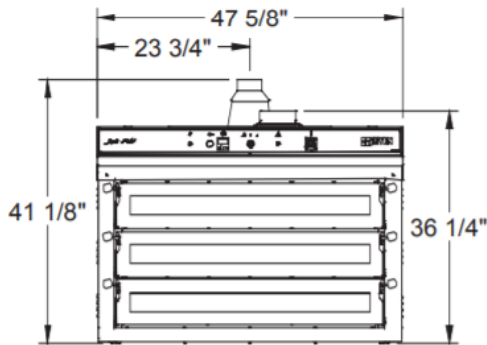


DRAWINGS

PIZ6



PIZ6G



ELECTRICAL & GAS SYSTEMS

Model	Gas System			Electrical System						
	BT-U	D.H.	G.I.	Volts	Phases	Amps	kW	Wires*	Hz	NEMA
PIZ6	-	-	-	120/208	1/3	66/43	13.5	3/4	60	-
				120/240	1/3	58/37	13.5	3/4	60	
				220	1	52	13.5	2	50	
PIZ6G	85,000	4" (102)	1/2" (13)	120	1	12	1.4	2	60	5-15P

Recommended Gas Pressure | Propane Gas: 11" W.C. Natural Gas: 7" W.C.

